

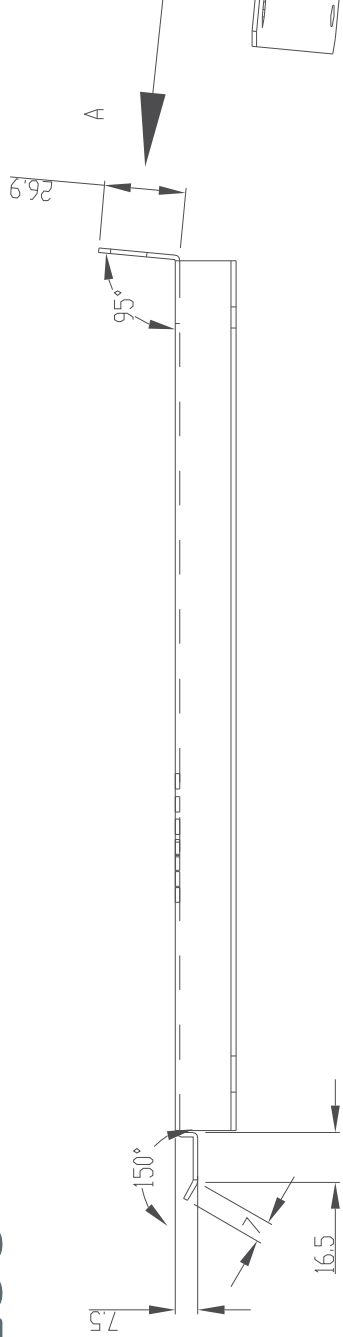
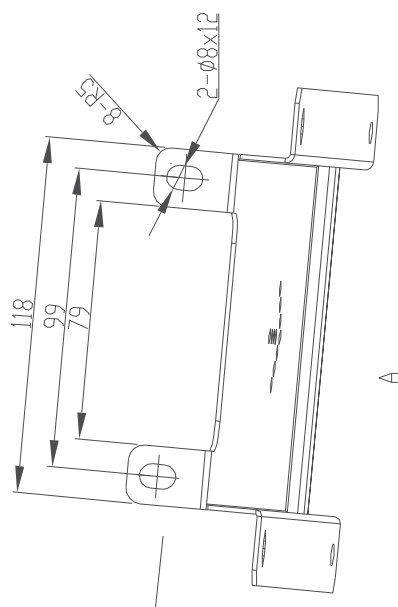
A-A

**PALO**  
per  
ATESS EVA-11/22/44S

Dimensioni ( mm )	0.5~6	>6~30	30~120	>120~400	>400~1000	>1000~2000
Tolleranza ( mm )	±0.1	±0.2	±0.3	±0.5	±0.8	±1.2



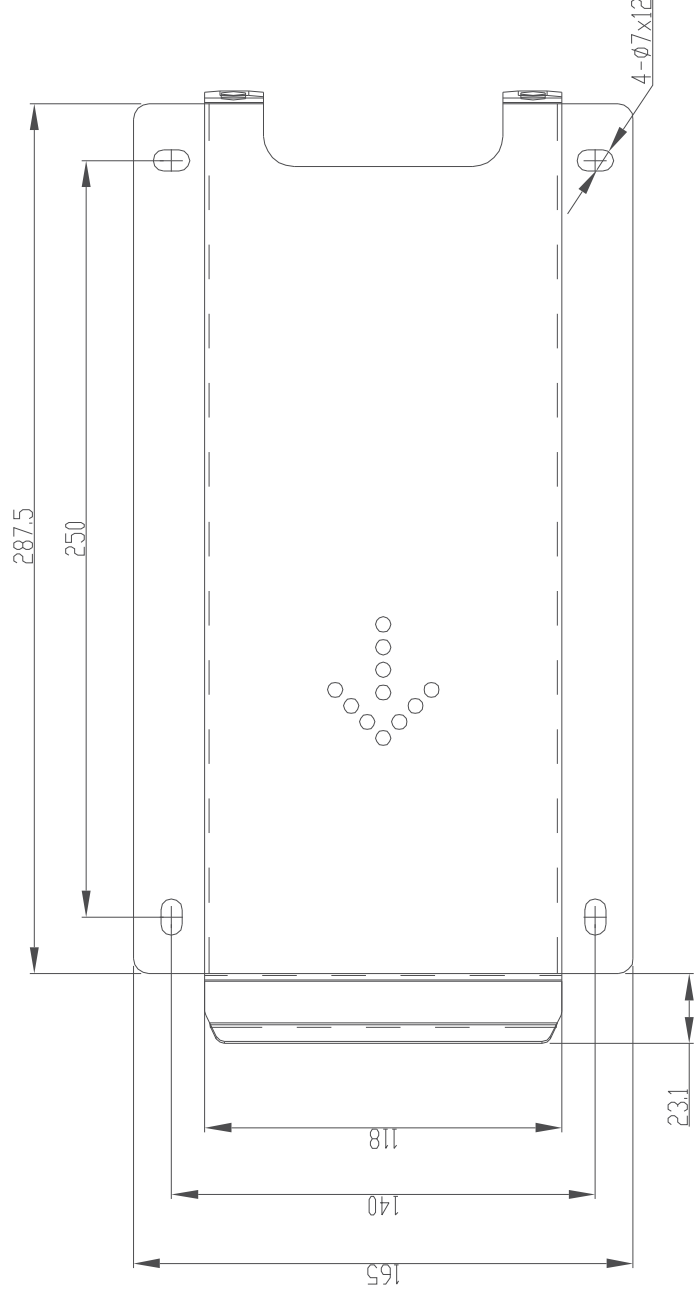
A



B

+

C



D

+

E

F

**STAFFA**  
per  
ATESS EVA-11/22/44S